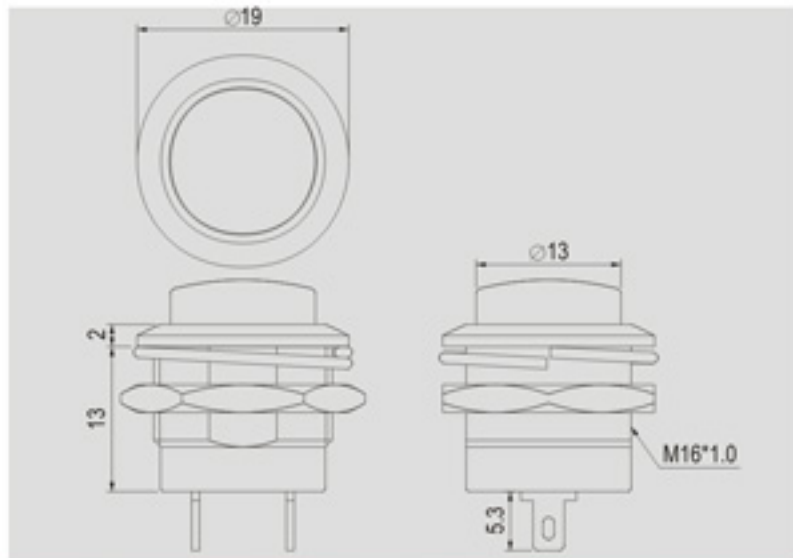
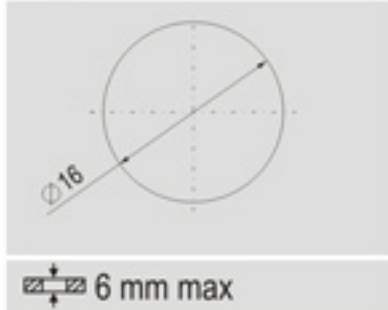


R13-507

Screw Type



Rating
6A 125V AC 3A 250V AC
Contact resistance
50mΩ Max
Insulation resistance
DC 500V 100MΩ Min
Dielectric strength
AC 1000V 1 minute
Cut-out



FEATURES

- * MATERIAL: Frames are nylon (UL flame: 94V-2). Terminals are silver plated brass.
- * M type are metal frames, nickel plated brass.
- * Mounted by nut.

R13-507

BODY		FUNCTION	TERMINAL
Plastic Body 	Metal Body 	A 	0 5 SO

* () = momentary